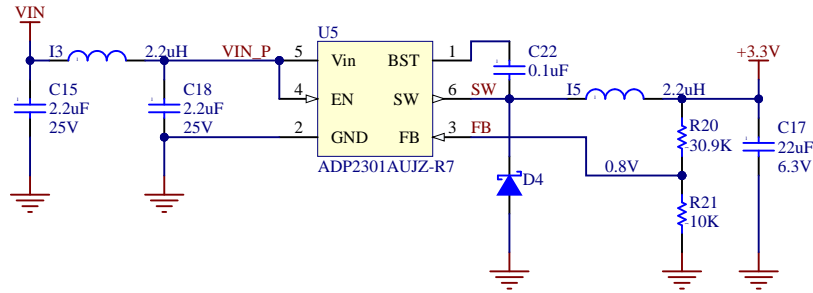
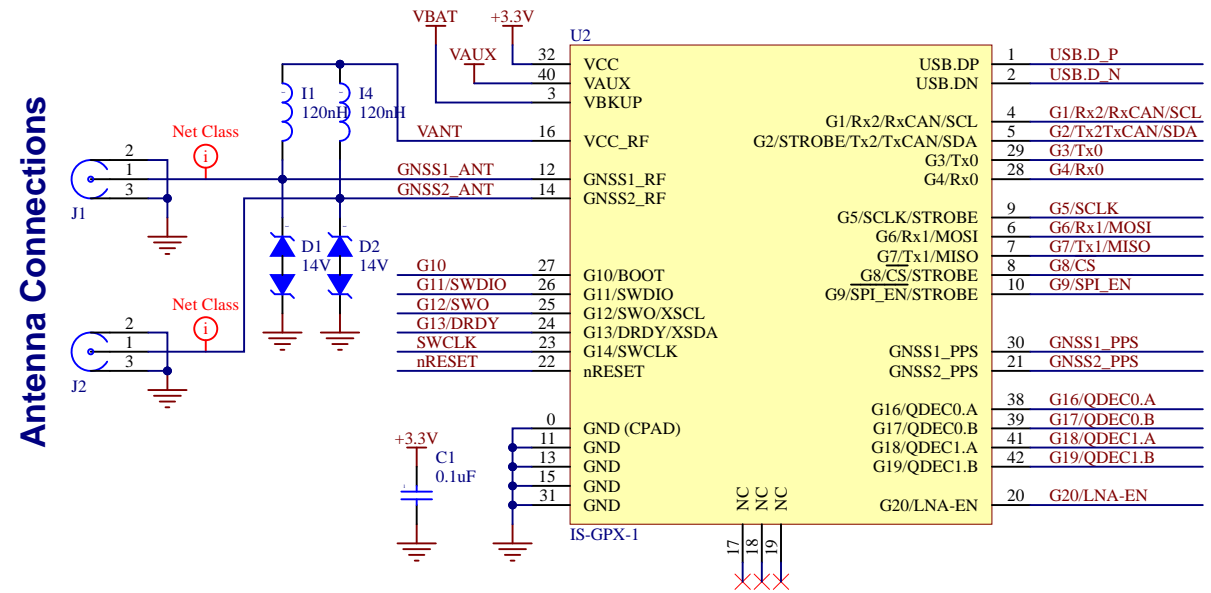


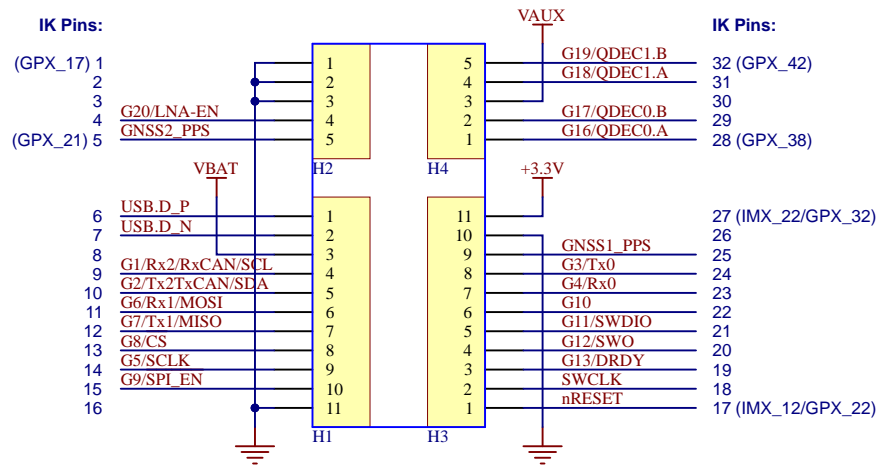
3.3V Supply



GPX-1 GNSS or IMX-5 Module

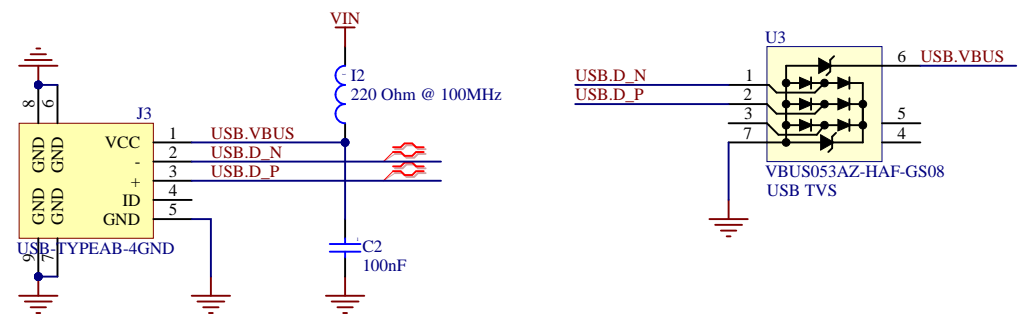


Headers

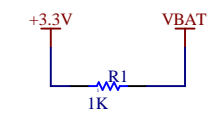


Antenna Connections

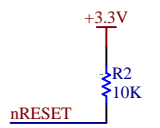
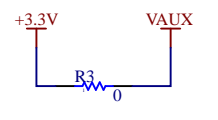
USB Micro Connector



3.3V to Vbat Jump



3.3V to VAux Jump



CONFIDENTIAL/PROPRIETARY

Project	IK Breadboard Adapter	PCB	IS-IK-r1-0	
Sheet	Connectors	Assy	IS-IK-r1.0.0	
Date	8/1/2024	Time	5:52:22 PM	
File	C:_IS\hwd\IS-hdw\Products\IK-1-0\Altium\Source Files\Main.SchDoc			