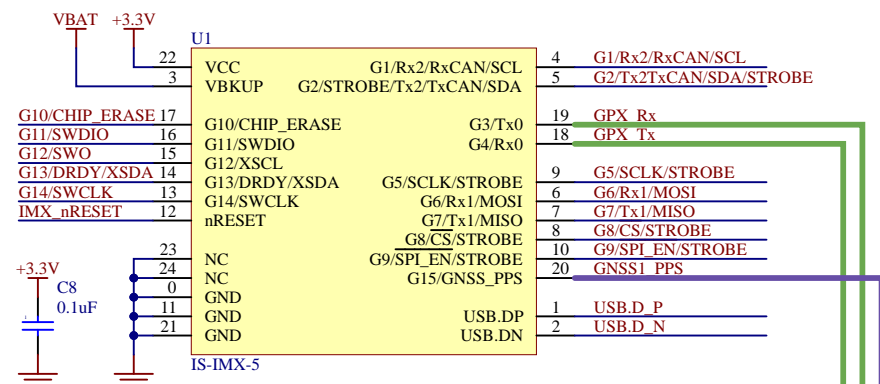


Host Connections

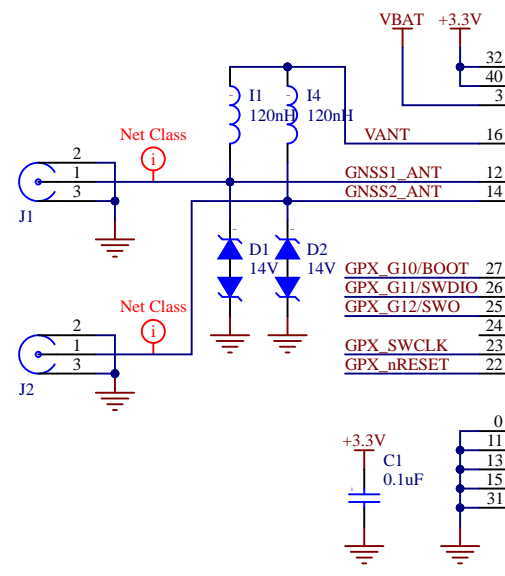
- GNSS1_PPS
- nRESET
- Optional Interface: USB
 - USB.D_P
 - USB.D_N
- Optional Interface: UART or SPI
 - G6/Rx1/MOSI
 - G7/Tx1/MISO
 - G5/SCLK/STROBE
 - G8/CS/STROBE
 - G9/SPI_EN/STROBE

SPI interface is enabled by holding G9 low during boot up.

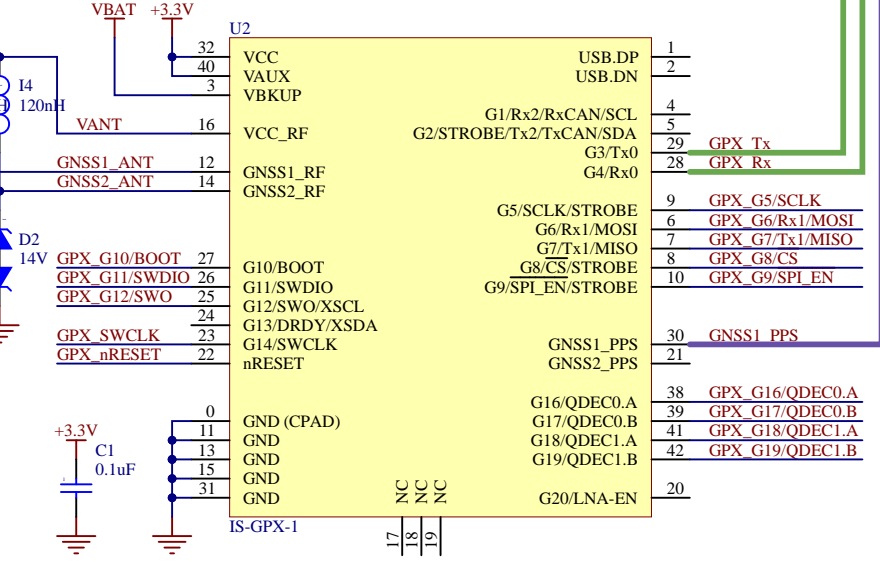
IMX-5 INS Module



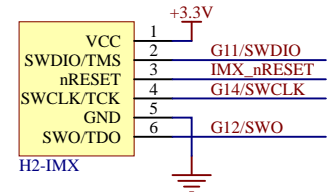
Antenna Connections



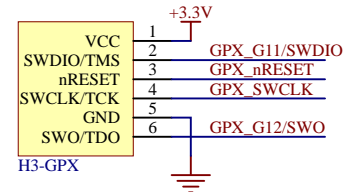
GPX-1 GNSS Module



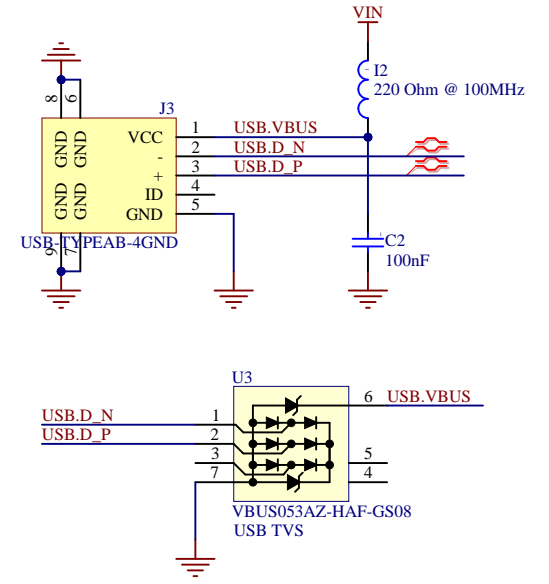
IMX-5 SWD IDC



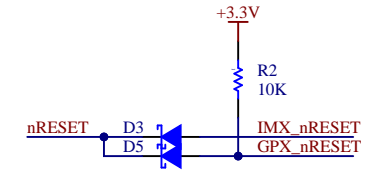
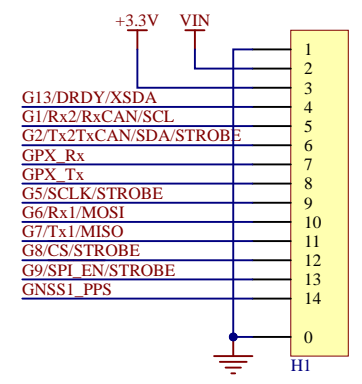
GPX SWD IDC



USB Micro Connector



IMX-5 I/O Header



CONFIDENTIAL/PROPRIETARY

Project	IMX w/ GPX Module	PCB	IS-IG-r2.0	 InertialSense 3000 S. Sierra Vista Way Provo, UT 84606 info@inertialsense.com
Sheet	Connectors	Assy	IS-IG-r2.0.3.0	
Date	7/15/2024	Time	7:18:31 PM	Sheet 1 of 6
File	C:\IS\hdw\IS-hdw\Products\IG-2-0\Altium\Source Files\Main.SchDoc			