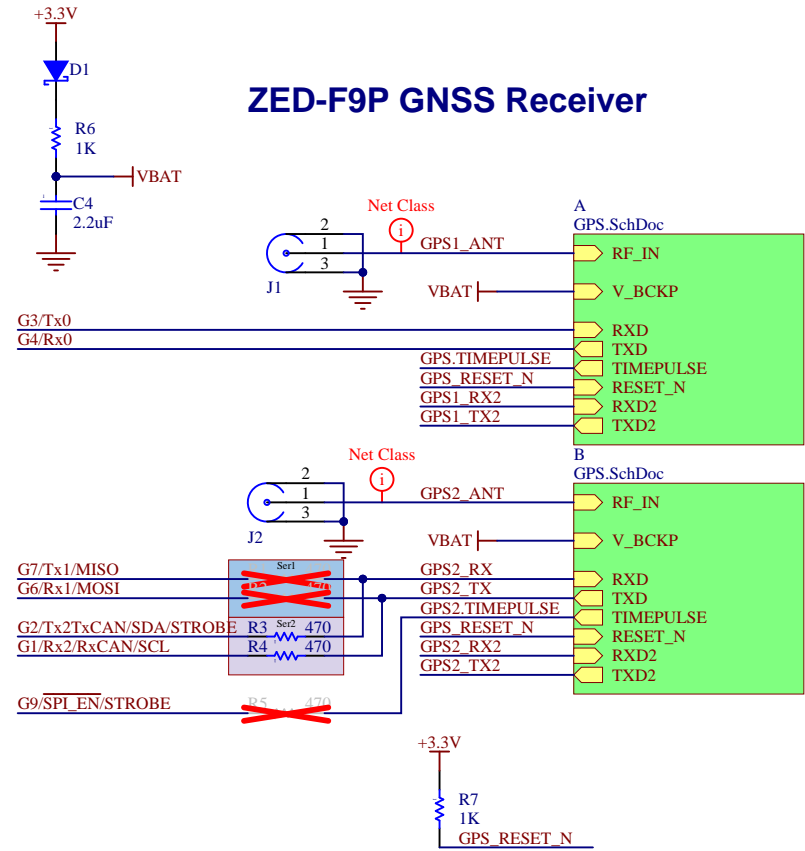
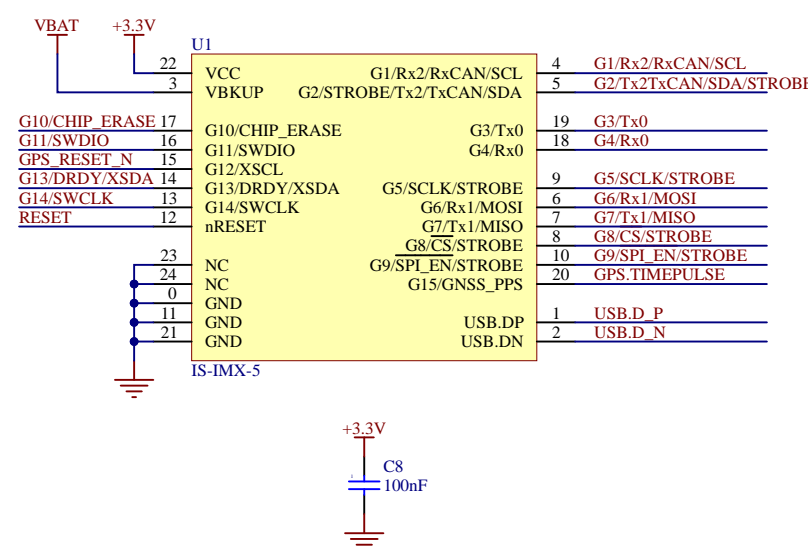


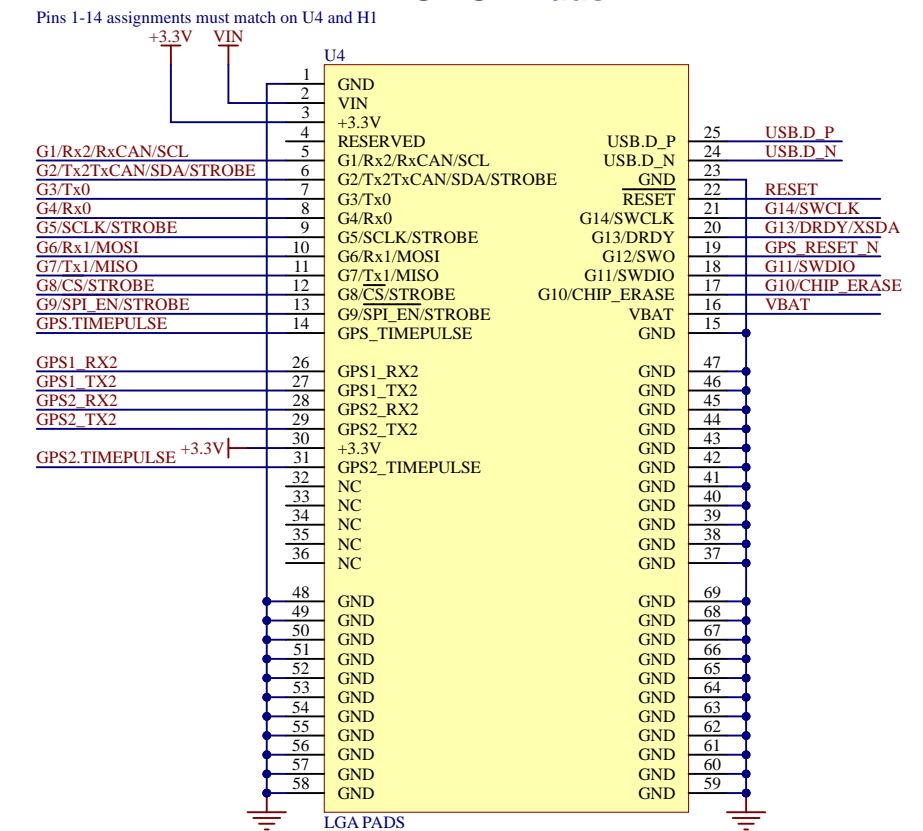
ZED-F9P GNSS Receiver



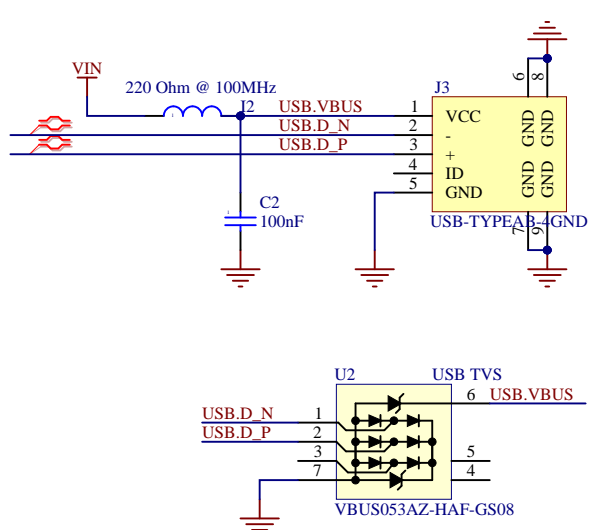
IMX Module



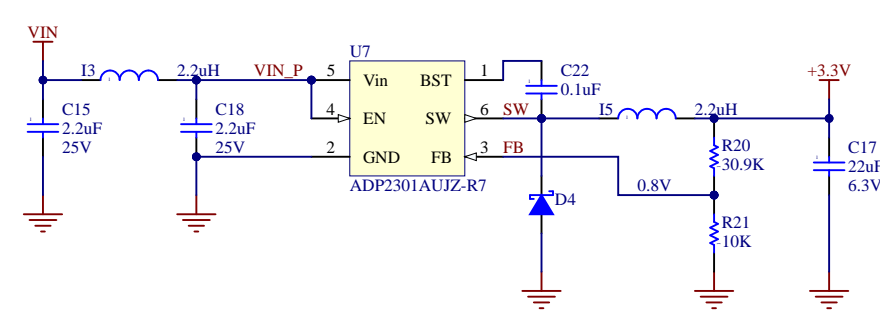
IG LGA Pads



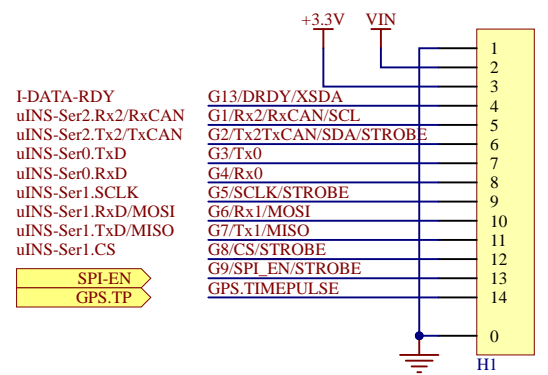
USB Micro Connector



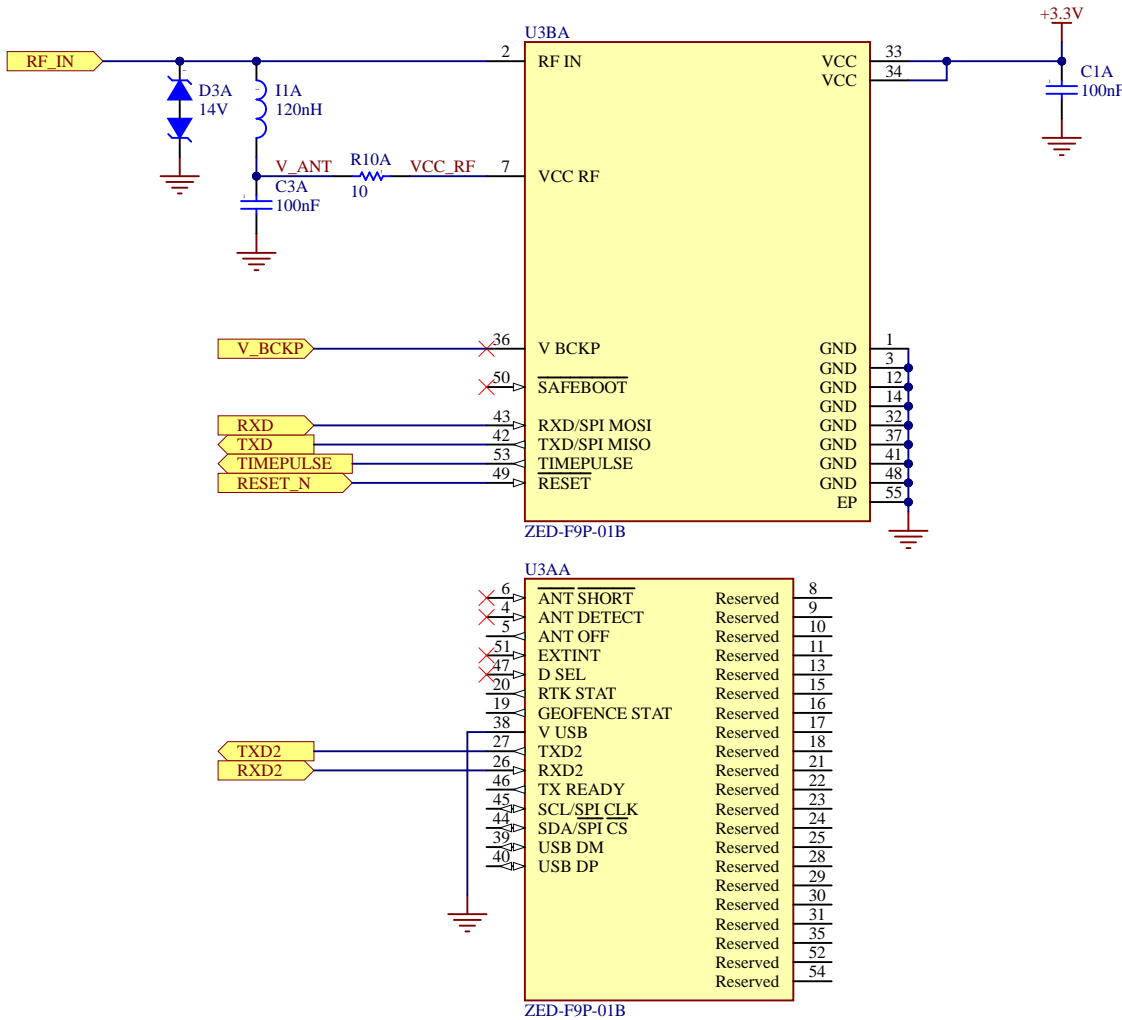
3.3V Supply




IMX I/O Header



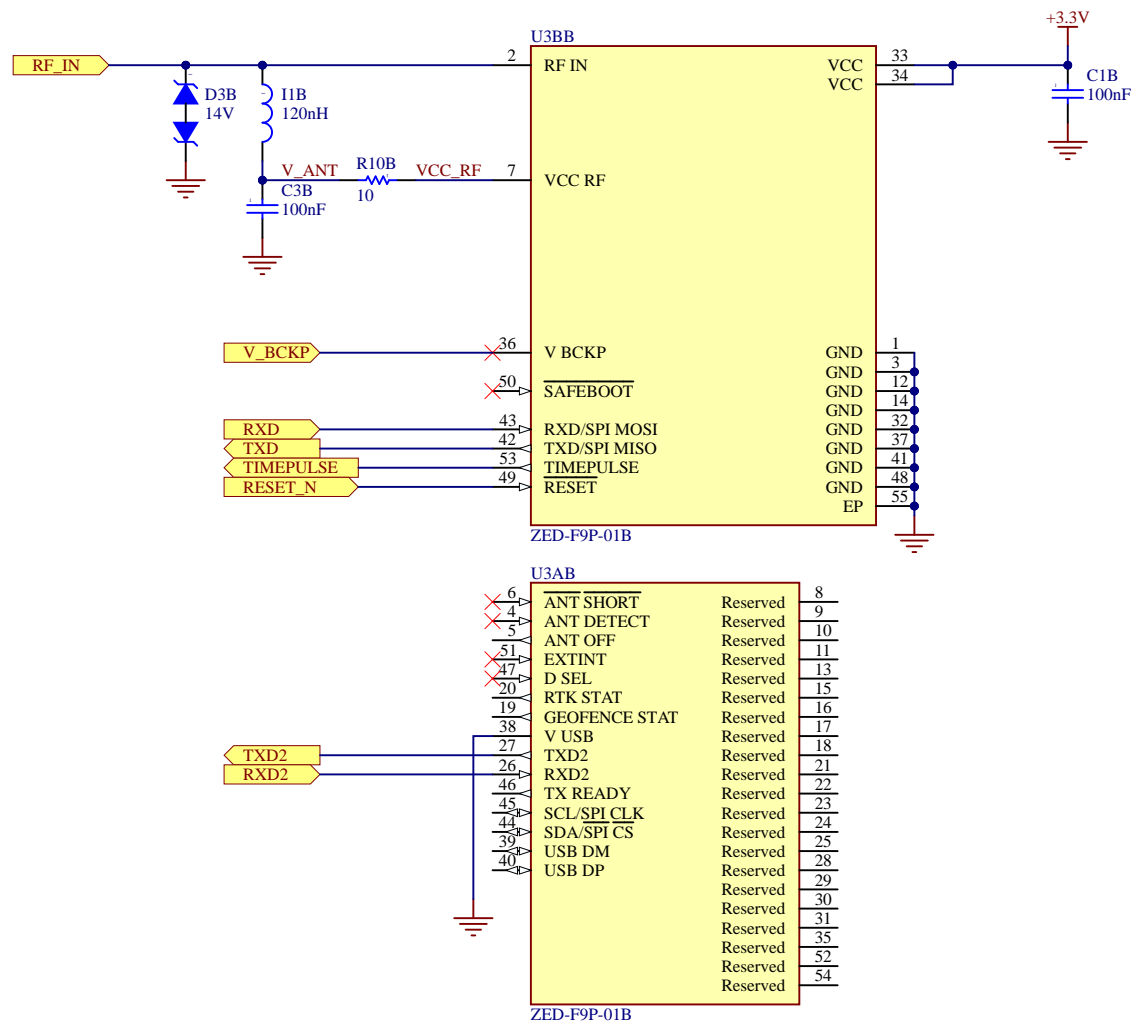
GNSS Receiver




CONFIDENTIAL/PROPRIETARY

Project IMX w/ RTK-GNSS Module	PCB IS-IG-r1.2-G2	 InertialSense 3000 S. Sierra Vista Way Provo, UT 84606 info@interialsense.com
Sheet *	Assy IS-IG-r1.2.0-G2	
Date 8/1/2024	Time 9:46:12 AM	
File C:_IS\hdw\IS-hdw\Products\IG-1-2-G2\Altium\Source Files\GPS.SchDoc		

GNSS Receiver



CONFIDENTIAL/PROPRIETARY

Project IMX w/ RTK-GNSS Module	PCB IS-IG-r1.2-G2	 InertialSense 3000 S. Sierra Vista Way Provo, UT 84606 info@interialsense.com
Sheet *	Assy IS-IG-r1.2.0-G2	
Date 8/1/2024	Time 9:46:12 AM	
File C:_IS\hdw\IS-hdw\Products\IG-1-2-G2\Altium\Source Files\GPS.SchDoc		